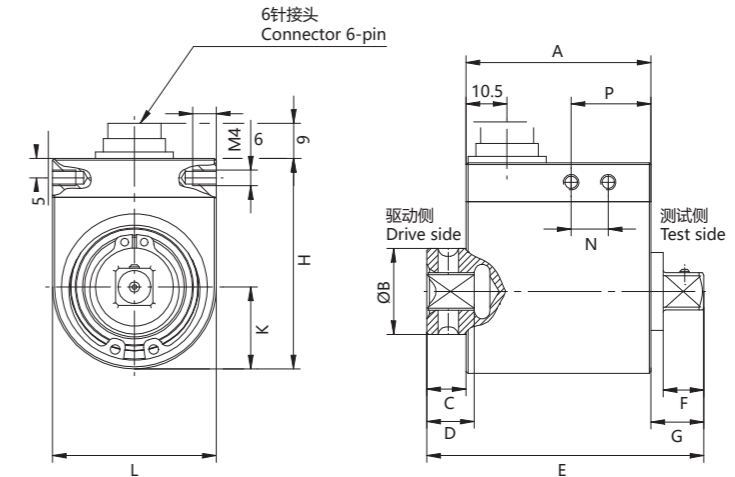


NS-NJ9A系列 动态扭矩传感器

- 极短的轴长度
- 高扭转刚度



外形尺寸图 Dimensions



所有尺寸单位为mm All dimension in mm

| 额定扭矩-Nominal Torque[N·m] | 方头/方孔-Square | 尺寸- Dimensions [mm] | | | | | | | | | | | |
|--------------------------|--------------|---------------------|------|------|------|-----|------|------|----|----|----|-----|------|
| | | A | ØB | C | D | E | F | G | H | K | L | N | P |
| 1/2/5/12 | 1/4" | 45.5 | 13 | 8 | 8.6 | 64 | 7.2 | 9.9 | 39 | 12 | 24 | 9 | 17.6 |
| 25/63 | 3/8" | 47.4 | 25 | 10.1 | 12.2 | 71 | 10.4 | 13.5 | 63 | 21 | 42 | 9.5 | 20.5 |
| 100/160/200 | 1/2" | 47.4 | 29.8 | 10.7 | 15 | 76 | 15.1 | 17.9 | 63 | 21 | 42 | 9.5 | 20.5 |
| 500 | 3/4" | 55 | 44 | 19 | 24 | 100 | 22.9 | 26 | 68 | 30 | 60 | 12 | 27 |
| 1000 | 1" | 55 | 54 | 33 | 27 | 132 | 27.4 | 44 | 68 | 30 | 60 | 12 | 27 |

技术参数 Technique parameter

| 参数 | Specifications | 单位 Unit | 技术指标 Technique data |
|---------|-------------------------------|----------------|---------------------|
| 量程范围 | Range | N.M | 1...5000 |
| 输出信号 | Output signal | Vdc | 0 - ±5/0~±10/4~20mA |
| 精度等级 | Accuracy class | % F.S | ± 0.3 |
| 最大转速 | Limit speed | 1/min | < 12000 |
| 重复性 | Repeatability | %F.S | ±0.02 |
| 温度灵敏度漂移 | Temperature sensitivity drift | %F.S/10K | ±0.1 |
| 零点温度漂移 | Zero point temperature drift | %F.S/10K | ±0.2 |
| 参考电压 | Reference excitation voltage | V | 12-28 |
| 电流 | Current consumption | mA | ≤60 |
| 使用温度 | Service temp.range | °C | 0 to 60 |
| 存储温度 | Storage temp.range | °C | -10 to +70 |
| 安全扭矩 | Service torque | % F.S | 120 (static) |
| 极限扭矩 | Limit torque | %F.S | 150 (static) |
| 破坏扭矩 | Ultimate torque | %F.S | 200 (static) |
| 振动带宽 | Bandwidth | % | 70(峰-峰值) |
| 防护等级 | IP protection | IP50 | |
| 电气连接 | Electrical connection | Binder 6 针581系 | |

选型表 Model code:

| | | | | | | | | | | | | |
|---|-----------------|------|--|--|--|--|--|--|--|--|--|--|
| NS- | 商标 | | | | | | | | | | | |
| 型号 | 产品名称 | | | | | | | | | | | |
| NJ9A | 动态扭矩传感器 | | | | | | | | | | | |
| -X | X 为额定载荷, 单位为N.m | | | | | | | | | | | |
| 代码 | 工作电压 | | | | | | | | | | | |
| 24 | 24VDC | | | | | | | | | | | |
| T | 客户定制 | | | | | | | | | | | |
| - | 代码 | 工作形式 | | | | | | | | | | |
| 1 | 顺正逆负 | | | | | | | | | | | |
| 2 | 顺负逆正 | | | | | | | | | | | |
| | 代码 | 输出信号 | | | | | | | | | | |
| I | 4~20mA | | | | | | | | | | | |
| V1 | 0~5V | | | | | | | | | | | |
| V2 | 0~10V | | | | | | | | | | | |
| V3 | 0±5V | | | | | | | | | | | |
| V4 | 0±10V | | | | | | | | | | | |
| RS | RS485 | | | | | | | | | | | |
| T | 特殊规格 | | | | | | | | | | | |
| - | 代码 | 安装形式 | | | | | | | | | | |
| 6 | Binder 6针 581 系 | | | | | | | | | | | |
| T | 特殊规格 | | | | | | | | | | | |
| NS- NJ9A -5N.M 24 - 2 I - 6 ← 选型举例 | | | | | | | | | | | | |